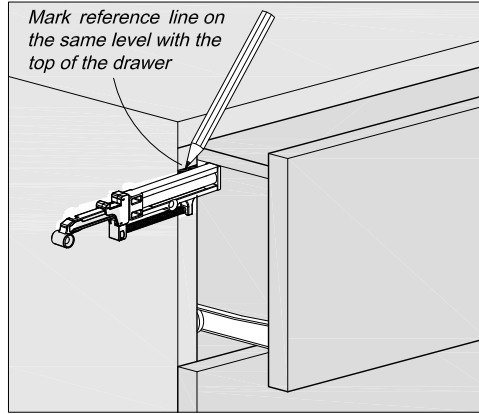


Soft close device 16.10.600

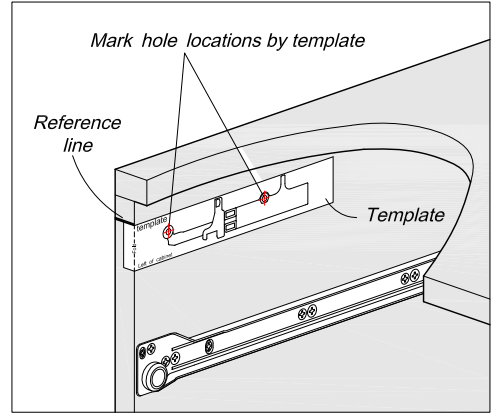
APPLICATIONS:

- For mounting to wooden drawer and cabinet.
- For Euro Slide or Ball Bearing slide (remove rubber hold close device on ball bearing slide).
- Width of gap **11.5mm to 13.5mm(per side).**
- Option for left or right handed fixing.

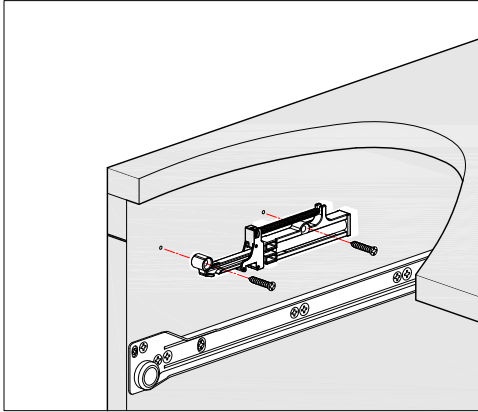
Step 1: Mark reference line



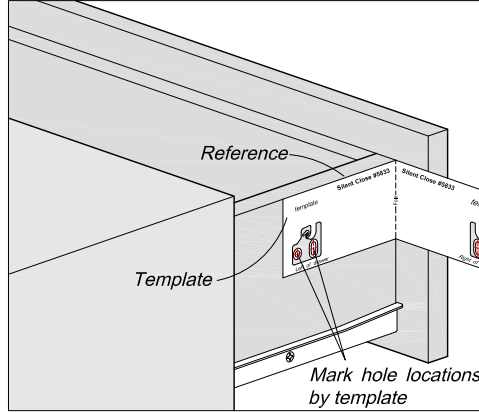
Step 2: Mark hole locations



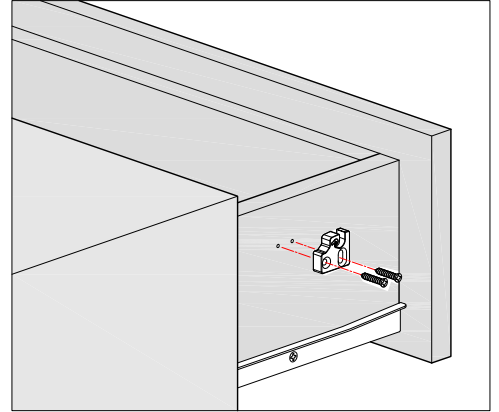
Step 3: Attach the "Body" to cabinet



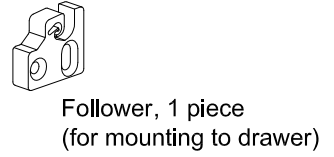
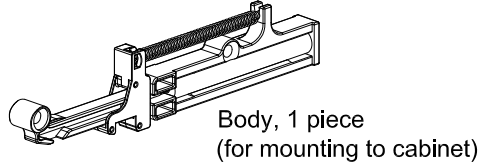
Step 4: Mark hole locations



Step 5: Attach the "Follower" to drawer



Including

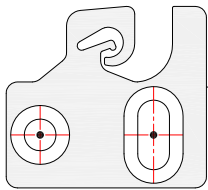


template

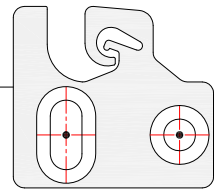
cut
Soft close device 16.10.600

cut
Soft close device 16.10.600

template



1cm 2cm 3cm 4cm 5cm 6cm **Fold** 1cm 2cm 3cm 4cm 5cm 6cm



Left of drawer

Right of drawer



Right of cabinet

Fold

template

template

Fold

Left of cabinet

